



# VAR 3005 DUAL VOLTAGE SOURCE FOR DIPS, DROPS AND VARIATIONS TESTING



- Full IEC 61000-4-11 compliant
- 2 power sources in one box
- 16 A continuous / 40 A short term
- Automatic 50/60 Hz detection and regulation
- Advanced regulation and self-test features

### NSG 3000 series accessory

Since more and more electric and electronic equipment is designed for universal power supply (ex: 85 to 265 V), EMC tests, and especially dips, drops and variations tests need to be realised for both of the higher and the lower rated supply voltage of the EUT (Equipment Under Test). To allow this the test system requires one supply source to generate the variable voltage of the dip, plus another supply source to set the test voltage.

VAR 3005 is a dual voltage source to be driven by Teseq NSG 3000 series of EMI test generators which provides the two supply sources required to test equipment with universal power supplies, one source providing the test voltage, the other providing the variable voltage required for dips and variation testing.

VAR 3005 is based on variac technologies as recommended by IEC 61000-4-11 (see fig 1). The 2 variacs are driven by a motor, the whole controlled by a processor based servo control which reaches great accuracy and adjusting speed performance.

VAR 3005 series are controlled by the user interfaces of the NSG 3000 series, per front panel display or via WIN 3000 PC software. VAR 3005 is plug and play technology, it auto configures and avoids the user to set voltages out of range.

Electrical performance parameters are in line or exceed the requirements of the basic standard IEC 61000-4-11: 2004 and so for allow EMI dips, drops and variations tests for every type of equipment with current ratings below 16 A.

Thanks to internal advanced microprocessor based control electronics VAR 3005 features permanent self regulation, self check, mains voltage check, phase rotation check and informs the user or stops the test if the surrounding conditions are not given to guarantee a proper testing.

EUT power can be switched ON and OFF manually per switch on front panel, or remotely from NSG 3000 front panel or PC control software. EUT power can be switched off automatically at test end per sequencing program control. For safety reasons, EUT power will switch off automatically in case of overload.

VAR 3005 is also available as single source, providing best price performance for applications where dual source is not required (mains supply of equipment under test is fixed value).

Available models:

- VAR 3005-D16: Dual 0 to 265 VAC / 16 A source**
- VAR 3005-S16: Single 0 to 265 VAC / 16 A source**

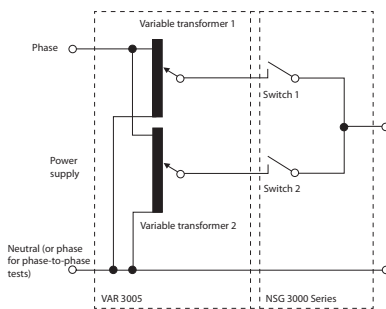


Figure 1: Dips and drops test equipment as recommended in IEC 61000-4-11

# VAR 3005

## DUAL VOLTAGE SOURCE FOR DIPS, DROPS AND VARIATIONS TESTING

### Technical specifications:



VAR 3005 with NSG 3040



VAR 3005 with NSG 3060 and CDN 3061

Parameter	Value
Specification:	Per IEC and EN 61000-4-11: 2004
Instrument supply:	85 to 265 VAC / 50/60 Hz
Power consumption:	< 20 W
EUT supply input voltage:	10 to 240 VAC (not suited for DC voltages)
EUT supply input current:	16 A
EUT supply frequency:	45 to 65 Hz
EUT output voltage $U_{in}$ (test voltage):	Adjustable from 0 to 265 VAC
EUT output voltage $U_{Var}$ (dip voltage):	Adjustable from 0 to 265 VAC or from 0 to 115% of $U_{in}$
Adjusting accuracy:	< 2%
EUT output current:	16 A continuous for variac set to 100% $U_{in}$ 20 A for 5 sec for variac set to 80% $U_{in}$ 23 A for 3 sec for variac set to 70% $U_{in}$ 40 A for 3 sec for variac set to 40% $U_{in}$
Load regulation:	< 5% $U_{in}$ , variac set to 100% $U_{in}$ , 0 to 16 A < 5% $U_{in}$ , variac set to 80% $U_{in}$ , 0 to 20 A < 5% $U_{in}$ , variac set to 70% $U_{in}$ , 0 to 23 A < 5% $U_{in}$ , variac set to 40% $U_{in}$ , 0 to 40 A
Max. regulation speed:	140 V/sec
EUT Power ON/OFF:	Local or remote, manual or automatic
Dimensions:	W: 449 mm (17.7") - 19" (with rack mounting brackets) H: 328 mm (12.9", 7 HU) D: 565 mm (22.2")
Weight:	VAR 3005-D16: ca. 58 kg (approx. 127 lbs) VAR 3005-S16: ca. 40 kg (approx. 89 lbs)

#### Teseq AG

Nordstrasse 11F 4542 Luterbach Switzerland  
T +41 32 681 40 40 F +41 32 681 40 48  
sales@teseq.com [www.teseq.com](http://www.teseq.com)

© April 2011 Teseq®

Specifications subject to change without notice. Teseq® is an ISO-registered company. Its products are designed and manufactured under the strict quality and environmental requirements of the ISO 9001. This document has been carefully checked. However, Teseq® does not assume any liability for errors or inaccuracies.

691-259B April 2011

# TESEQ

Advanced Test Solutions for EMC