

# Tektronix USB4

## Receiver Test Suite Datasheet



Improve accuracy and precision of USB4 Receiver Calibration (TP3' and TP3) and Tests with Tektronix automation software. The software removes the complexity of receiver testing with a step-by-step user interface, that has been designed by industry leaders engaged in the standards bodies to drive the latest specifications to maturity. Industry engagement ensures our software will evolve in step with the technology. Achieving the correct balance of simplicity and user control, has been at the forefront of the design team to ensure your device can complete the correctly calibrated stress and perform efficiently with optimized PHY settings.

### Applications

#### USB4 (10 Gbps and 20 Gbps)

- One click option to complete entire calibration in both TP3' and TP3
- Option to view summary after key calibration steps
- Table or Eye Diagram view in Input Eye Diagram and Stressed Eye Calibration
- Option to perform manual calibration in Input Eye Diagram and Stressed Eye Calibration
- Automatic Insertion Loss calculation in TP3
- Detailed report with Eye Diagram
- Option to choose analysis tool between DPOJET and Sigtest
- Option to resume partially complete calibrations

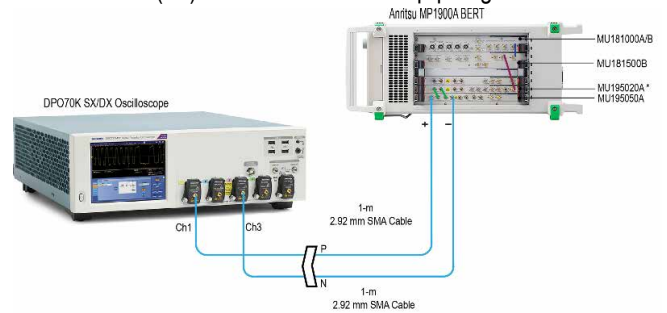
#### TP3' Calibration

The TP3' is mandatory for all devices to ensure tolerances are met at the defined reference plane. Tektronix USB4 Receiver Test wizard will guide the user through all the necessary steps as per the specification requirements to ensure future calibration steps complete with ease.

Some of the test parameters are used in TP3 calibration that is needed to complete the stressed eye tests.

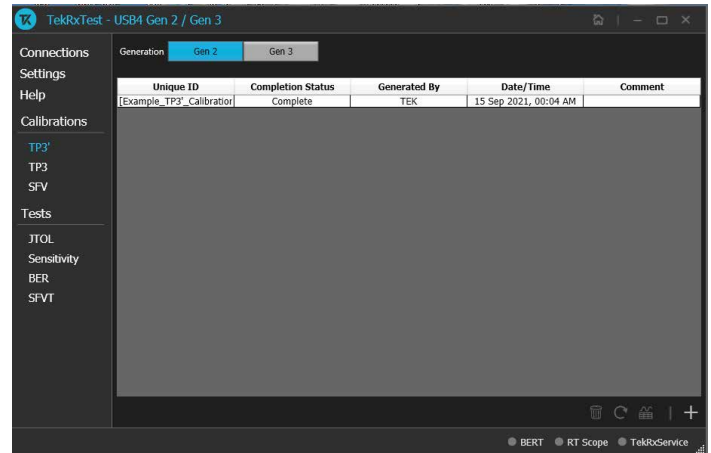
#### TP3' Calibration Highlights

- Signal validation, skew correction, and channel polarity check as part of equipment initialization
- Option to perform entire TP3' calibration in one click!
- AC-DC voltage difference minimization using De-emphasis
- Parallel Preshoot and De-emphasis calibration with summary
- Preset selection with minimum Data Dependent Jitter (DDJ)
- Input eye height calibration for 700 mV p-p (Differential)
- AC-common mode noise calibration for 100 mV p-p target at 400 MHz sinusoidal frequency
- Random Jitter (RJ) calibration for 0.14 UI p-p target



Direction of Signal  
 Data Output from MU195020A Module to Data Input of MU195050A Module  
 Clock Output from MU181000A/B Module to Ext Clock Input of MU181500B Module  
 Jittered Clock Output from MU181500B Module to Ext Clock Input of MU195020A Module  
 \* MU195020A PAM4 PPG module can be used in place of MU195020A NRZ PPG module

1707-003

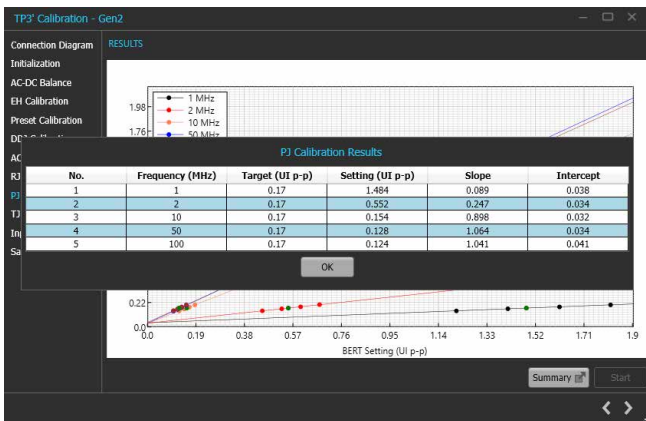


### DDJ and PJ calibration

- Perform automated DDJ calibration for all preset combinations to find least DDJ
- Perform automated PJ calibration with 0.17 UI p-p target for 1, 2, 10, 50, and 100 MHz
- Separate linear curves for each PJ frequency
- Option to view calibration summary for each frequency

Description	Preset	Preshoot Setting (dB)	De-emphasis Setting (dB)	DDJ (mUI)
1	P0	0	0	31.942
2	P1	0	-1.7	45.599
3	P2	0	-3.3	63.227
4	P3	0	-4.6	75.9
5	P4	0	-7.6	109.16
6	P5	0.4	0	31.745
7	P6	0.6	-1.7	44.58
8	P7	0.9	-3.5	64.129
9	P8	1.2	-5.3	78.874
10	P9	1.5	-7.3	99.69
11	P10	1.2	0	37.623
12	P11	1.6	-2	52.643
13	P12	1.9	-3.3	63.691
14	P13	2.8	-6.1	83.495
15	P14	3.1	-3.5	72.309

### DDJ calibration

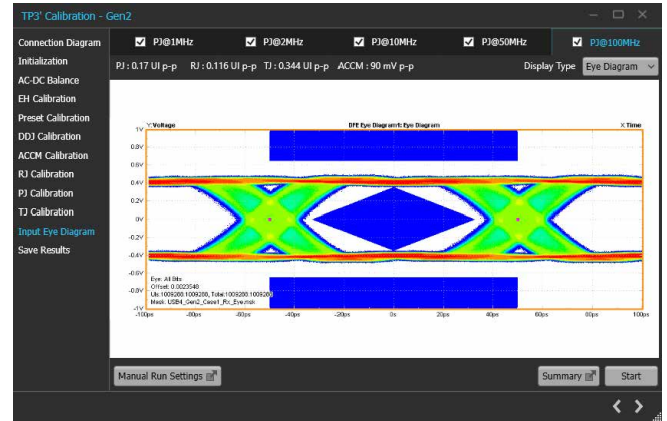


### PJ calibration

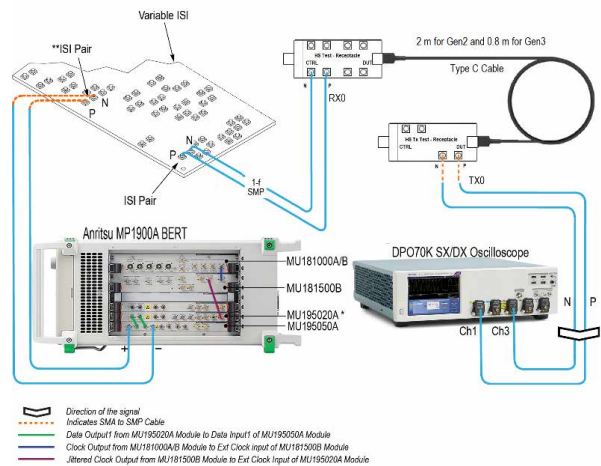
### Input Eye Diagram

- Automated procedure for Input Eye Diagram for each PJ frequency
- Option to re-run calibration for selected frequencies
- Ability to verify results for customized settings
- Option to change Display Type - Table or Eye Diagram

- Summary with calibrated amplitude, eye height and eye width details for each frequency



### TP3 Calibration



### Setup Diagram

TekRxTest - USB4 Gen 2 / Gen 3

Connections: Generation Gen 2, Gen 3

Unique ID	Completion Status	Stressed Eye Convergence	Generated By	Date/Time	Comment
[Example_TP3_Calibr]	Complete	5 / 5 Frequencies	TEK	18 Sep 2021, 03:32 A	

Calibrations:

- TP3
- TP3
- SFV

Tests:

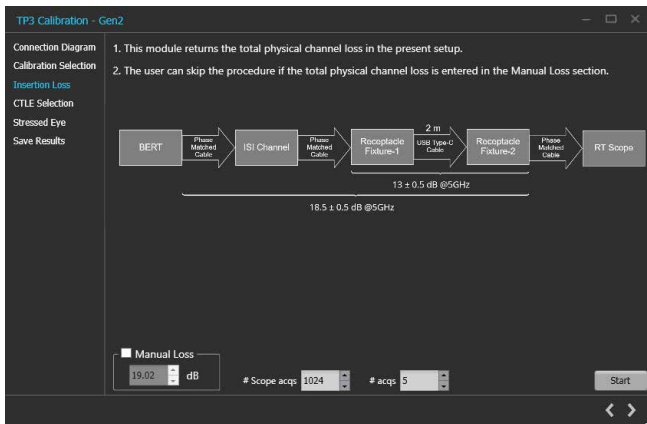
- JTOL
- Sensitivity
- BER
- SFVT

Legend: BERT, RT Scope, TekRxService

TP3 calibration view

### Insertion Loss

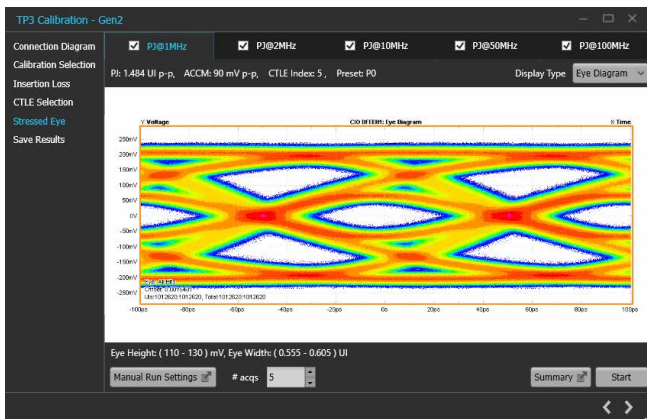
- Automated procedure to compute total physical channel loss
- Block diagram displaying the signal path



TP3 Insertion Loss

### TP3 Stressed Eye calibration

- Eye diagram for each PJ frequency
- Option to change Display Type - Table or Eye Diagram
- Summary with calibrated amplitude, stress, eye height, and eye width details for each frequency
- Option to re-run calibration for chosen frequencies
- Ability to verify results for customized settings



TP3 Stressed Eye calibration

### USB4 receiver tests

- Option to select TP3/TP3 calibration file to run Rx Test
- Option to select calibrated, uncalibrated, and customized stresses for each frequency
- Far-End Crosstalk feature in JTOL test and Sensitivity test
- Near-End Crosstalk feature in all tests
- Log-Log and Semi-Log charts in JTOL and Sensitivity test
- Option to configure Electrical Test Tool (ETT)

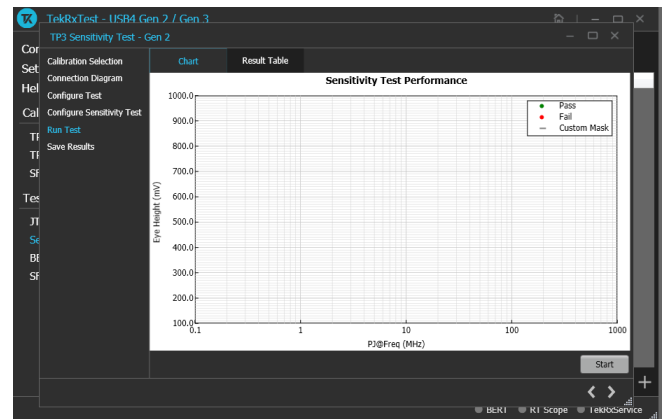
- User-defined BER Execution time to run the test
- Search algorithms for JTOL and Sensitivity tests - Linear, Binary, and Log

Stress configuration

Crosstalk

### Sensitivity test highlights

- Test performance shown in chart and table format
- Performance margin for every PJ frequency shown

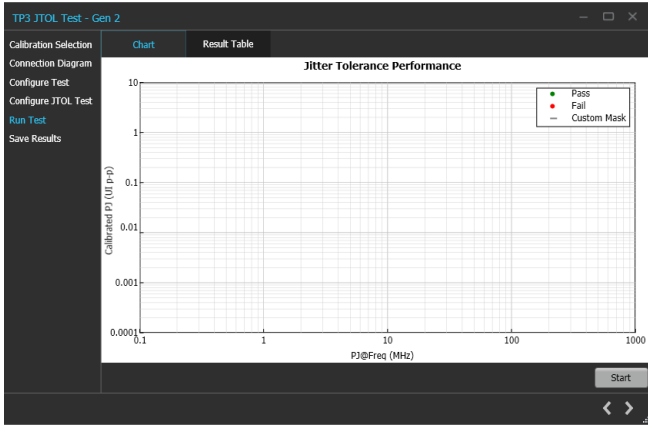


Test performance

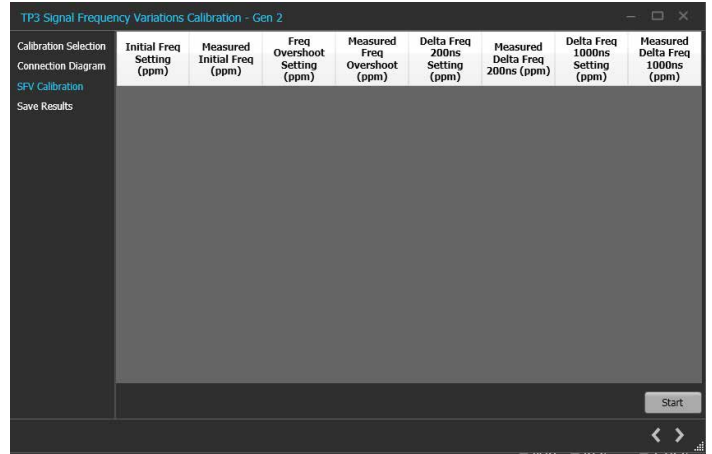
### JTOL tests

Easy configuration and tun of JTOL tests.

- Test performance shown in chart and table format
- Performance margin for every PJ frequency shown



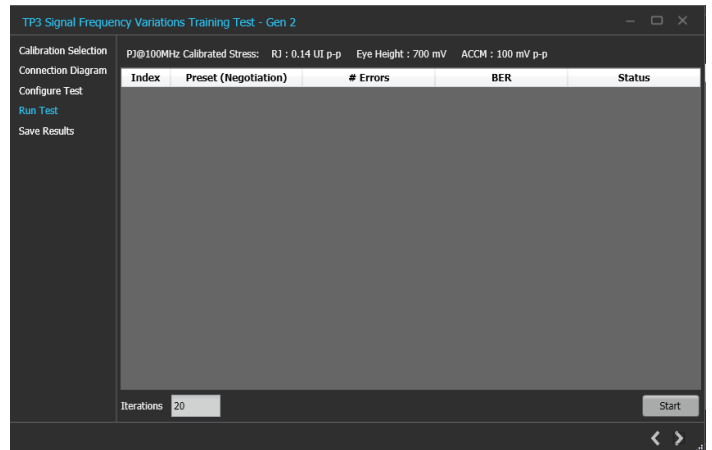
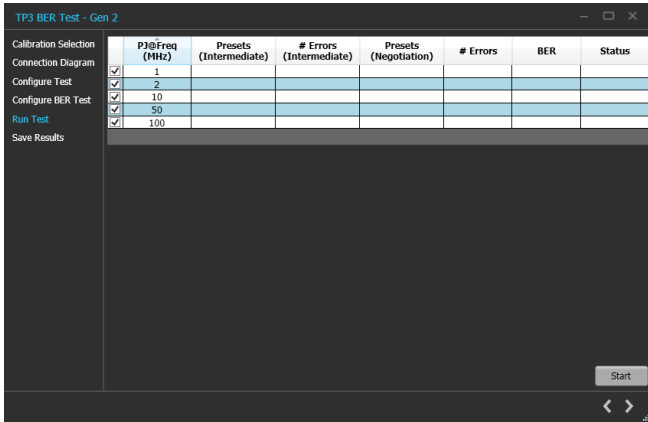
JTOL test results



Signal Frequency Variations calibration

**BER tests**

- Test performance shown in table format
- Performance margin for every PJ frequency shown
- Test can be done for all PJ Freq - 1, 2, 10, 50, and 100 MHz.



Signal Frequency Variations Training test

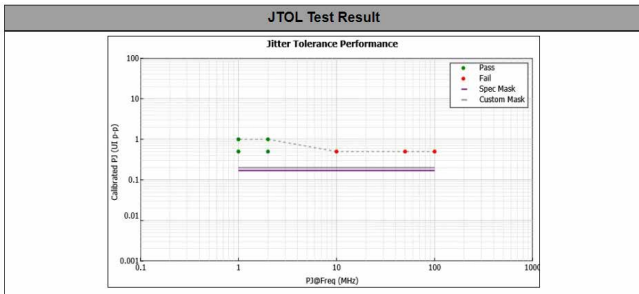
**Signal Frequency Variations Calibration and tests**

- Calibration of SSC parameters at TP3' or TP3
- Ability to perform tests at TP3' or TP3 with calibrated SSC parameters
- Results summarized in tabular form for calibration and tests

## Results and Reports

- Detailed report of each calibration and test with summary
- Reporting includes TP3' / TP3 calibration results appended to test results

Test Configuration					
<b>JTOL Test</b>	Test Duration: 1000 s				
	Search Algorithm: UpLog				
	Link #: SingleLane, Lane #: Zero				
	BER Measurement Pattern: PRBS31				
	Initial Preset: P5				
	DUT Type: Receptacle				
	TigerLake: Enabled				
	SwapLane: None				
	Tested Port: 0				
	Near-end Crosstalk: Disabled				
	Far-end Crosstalk: Disabled				
	<b>PJ@Freq (MHz)</b>	<b>Stress Type</b>	<b>RJ (UI p-p)</b>	<b>Amplitude (mV)</b>	<b>ACCM (mV)</b>
	1	Calibrated	0.212	718	100
	2	Calibrated	0.176	718	100
	10	Calibrated	0.176	718	100
	50	Calibrated	0.192	718	100
	100	Calibrated	0.14	718	100



Index	PJ@Freq (MHz)	PJ Setting (UI p-p)	Calibrated PJ (UI p-p)	Errors	Status
1	1.00	0.500	5.100	0	Pass
2	1.00	1.000	10.594	0	Pass
3	2.00	0.500	1.866	0	Pass
4	2.00	1.000	3.858	0	Pass
5	10.00	0.500	0.530	877	Fail
6	50.00	0.500	0.446	1,257	Fail
7	100.00	0.500	0.436	11	Fail

**End of Report**

Test Configuration						
<b>BER Test</b>	SSC Profile: Triangular, Down Spread					
	SSC Deviation: 5400 ppm					
	SSC Frequency: 36000 Hz					
	Test Duration: 5 s					
	Link: Dual Lane, Tested Lane: 0					
	BER Measurement Pattern: PRBS31					
	Initial Preset: P0					
	DUT Type: All					
	TigerLake: Disabled					
	Swap Lane: None					
	Tested Port: 1					
	Near-end Crosstalk: Enabled					
	Stress Configuration					
	<b>PJ@Freq (MHz)</b>	<b>Stress Type</b>	<b>RJ (UI p-p)</b>	<b>PJ (UI p-p)</b>	<b>Eye Height (mV)(Diff)</b>	<b>ACCM (mV p-p)</b>
	1	Calibrated	0.212	0.17	706	100
	2	Calibrated	0.224	0.17	700	100
	10	Calibrated	0.204	0.17	706	100
	50	Calibrated	0.24	0.17	706	100
	100	Calibrated	0.14	0.222	706	100

BER Test Results						
PJ@Freq (MHz)	Presets (Intermediate)	# Errors (Intermediate)	Presets (Negotiation)	# Errors	BER	Status
1	P12 P12 P12	0 0 0	P12	0	0	Pass
2	P12 P12 P12	0 0 0	P12	0	0	Pass
10	P12 P12 P12	0 0 0	P12	0	0	Pass
50	P12 P12 P12	0 0 0	P12	0	0	Pass
100	P12 P12 P12	0 0 0	P12	0	0	Pass

**End of Report**

## Ordering information

### Required equipment and accessories

Equipment	Vendor	Type	R/O	Qty	Description
MP1900A	Anritsu	Equipment	Required	1	20 Gb/s, BERT configuration available upon request
DPO72304SX or DPO72304DX or Oscilloscope of higher bandwidth	Tektronix	Equipment	Required	1	Tektronix Real time Oscilloscope Bandwidth $\geq 21$ GHz, $\geq 2$ -channel oscilloscope
CIO – DPOJET plugin	Tektronix	Software	Required	1	Pre-requisite option for USB4
DIA-DPOJET Advanced option	Tektronix	Software	Required	1	Pre-requisite option for USB4
SDLA64	Tektronix	Software	Required	1	Pre-requisite option for USB4
PMCABLE1M	Tektronix	Accessory	Required	3	Precision Phase Matched Cable Pair, 1 m
640-0961-000	Wilder	Equipment	Required	1	USB4 controller and fixture (USB4-TPA-UC-K)
ST2643	Fairview Microwave	Accessory	Required	4	SMP terminators
SM8852	Fairview Microwave	Accessory	Required	6	2.92 mm (female) to SMP (female) Cable or Adapter
PCIe Gen4 ISI Fixture	PCI-SIG	Accessory	Required	1	This will be replaced when an approved version is made available by USB-IF
0.8 m and 2 m USB Type-C cables	Any USB-IF approved cable	Accessory	Required	1 each	USB Type C Cables
RXSW-NLP-USB4 or	Tektronix	Software	Required	1	License; USB4 Receiver automation software for Tektronix scopes and Anritsu BERT; Perpetual; Node-Locked
RXSW-NL1-USB4 or					License; USB4 Receiver automation software for Tektronix scopes and Anritsu BERT; 1 year subscription; Node-Locked
RXSW-FLP-USB4 or					License; USB4 Receiver automation software for Tektronix scopes and Anritsu BERT; Perpetual; Floating
RXSW-FL1-USB4					License; USB4 Receiver automation software for Tektronix scopes and Anritsu BERT; 1 year subscription; Floating

### Host system software requirements

Microsoft Windows 10



Tektronix is registered to ISO 9001 and ISO 14001 by SRI Quality System Registrar.

ASEAN / Australasia (65) 6356 3900  
Belgium 00800 2255 4835\*  
Central East Europe and the Baltics +41 52 675 3777  
Finland +41 52 675 3777  
Hong Kong 400 820 5835  
Japan 81 (120) 441 046  
Middle East, Asia, and North Africa +41 52 675 3777  
People's Republic of China 400 820 5835  
Republic of Korea +822 6917 5084, 822 6917 5080  
Spain 00800 2255 4835\*  
Taiwan 886 (2) 2656 6688

Austria 00800 2255 4835\*  
Brazil +55 (11) 3759 7627  
Central Europe & Greece +41 52 675 3777  
France 00800 2255 4835\*  
India 000 800 650 1835  
Luxembourg +41 52 675 3777  
The Netherlands 00800 2255 4835\*  
Poland +41 52 675 3777  
Russia & CIS +7 (495) 6647564  
Sweden 00800 2255 4835\*  
United Kingdom & Ireland 00800 2255 4835\*

Balkans, Israel, South Africa and other ISE Countries +41 52 675 3777  
Canada 1 800 833 9200  
Denmark +45 80 88 1401  
Germany 00800 2255 4835\*  
Italy 00800 2255 4835\*  
Mexico, Central/South America & Caribbean 52 (55) 56 04 50 90  
Norway 800 16098  
Portugal 80 08 12370  
South Africa +41 52 675 3777  
Switzerland 00800 2255 4835\*  
USA 1 800 833 9200

\* European toll-free number. If not accessible, call: +41 52 675 3777

**For Further Information.** Tektronix maintains a comprehensive, constantly expanding collection of application notes, technical briefs and other resources to help engineers working on the cutting edge of technology. Please visit [www.tek.com](http://www.tek.com).

Copyright © Tektronix, Inc. All rights reserved. Tektronix products are covered by U.S. and foreign patents, issued and pending. Information in this publication supersedes that in all previously published material. Specification and price change privileges reserved. TEKTRONIX and TEK are registered trademarks of Tektronix, Inc. All other trade names referenced are the service marks, trademarks, or registered trademarks of their respective companies.

14 Feb 2022 61W-73859-0  
[www.tek.com](http://www.tek.com)

**Tektronix**<sup>®</sup>